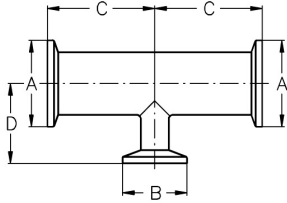
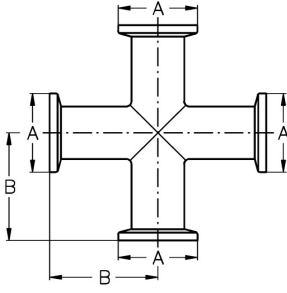
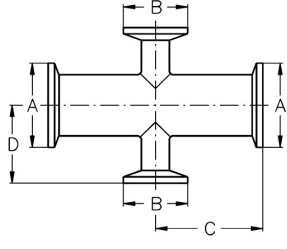


KF Pipe components, glass							Art.No	EUR	Art.No	EUR
KF Reducing T-piece 	DN	A	B	C	D		Borosilicate glass		Quarz glass	
	25/10	40	30	50	37		133214	Enquiry	133314	Enquiry
	40/10	55	30	65	45		133217	Enquiry	133317	Enquiry
	50/10	75	30	70	50		133220	Enquiry	133320	Enquiry
To use with clamping ring FL-Optimal KE.										
KF Cross piece 	DN	A	B				Borosilicate glass		Quarz glass	
	10	30	40				133401	Enquiry	133501	Enquiry
	16	30	40				133402	Enquiry	133502	Enquiry
	25	40	50				133404	Enquiry	133504	Enquiry
	40	55	65				133406	Enquiry	133506	Enquiry
	50	75	70				133407	Enquiry	133507	Enquiry
To use with clamping ring FL-Optimal KE.										
KF Reducing cross piece 	DN	A	B	C	D		Borosilicate glass		Quarz glass	
	25/10	40	30	50	37		133614	Enquiry	133714	Enquiry
	40/10	55	30	65	45		133617	Enquiry	133717	Enquiry
	50/10	75	30	70	50		133620	Enquiry	133720	Enquiry
To use with clamping ring FL-Optimal KE.										

C
3